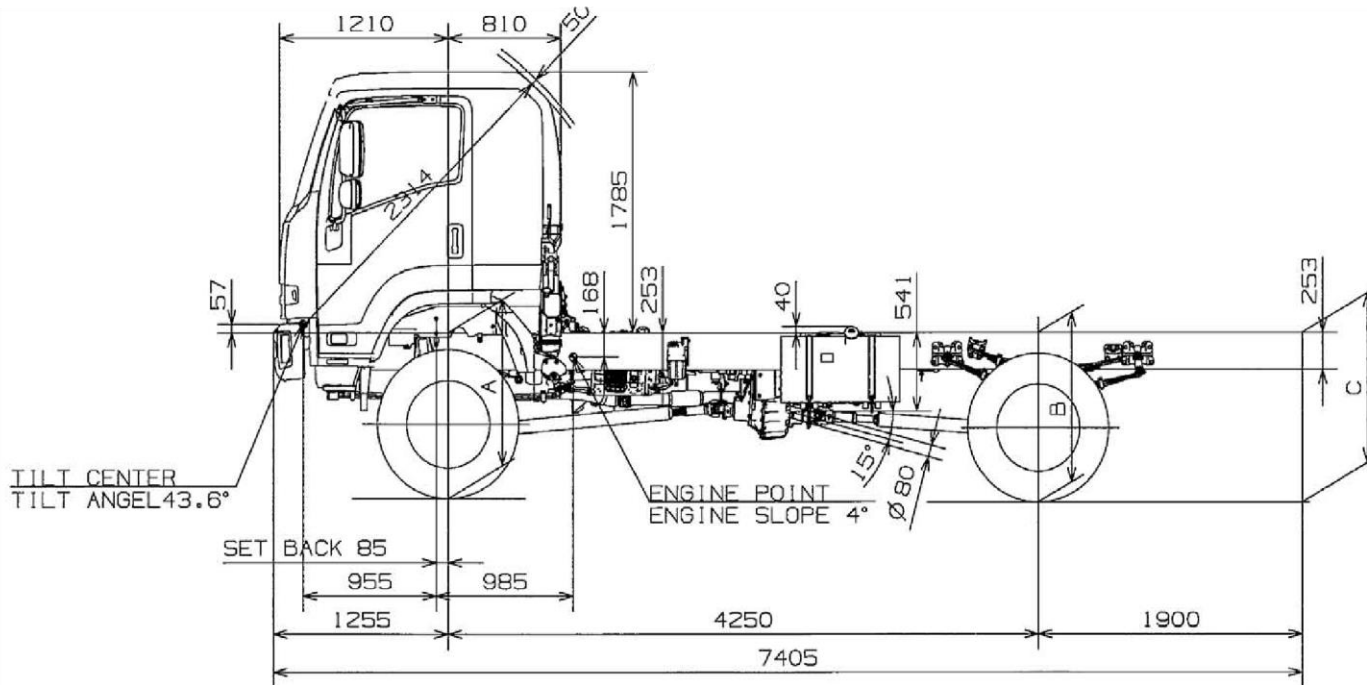
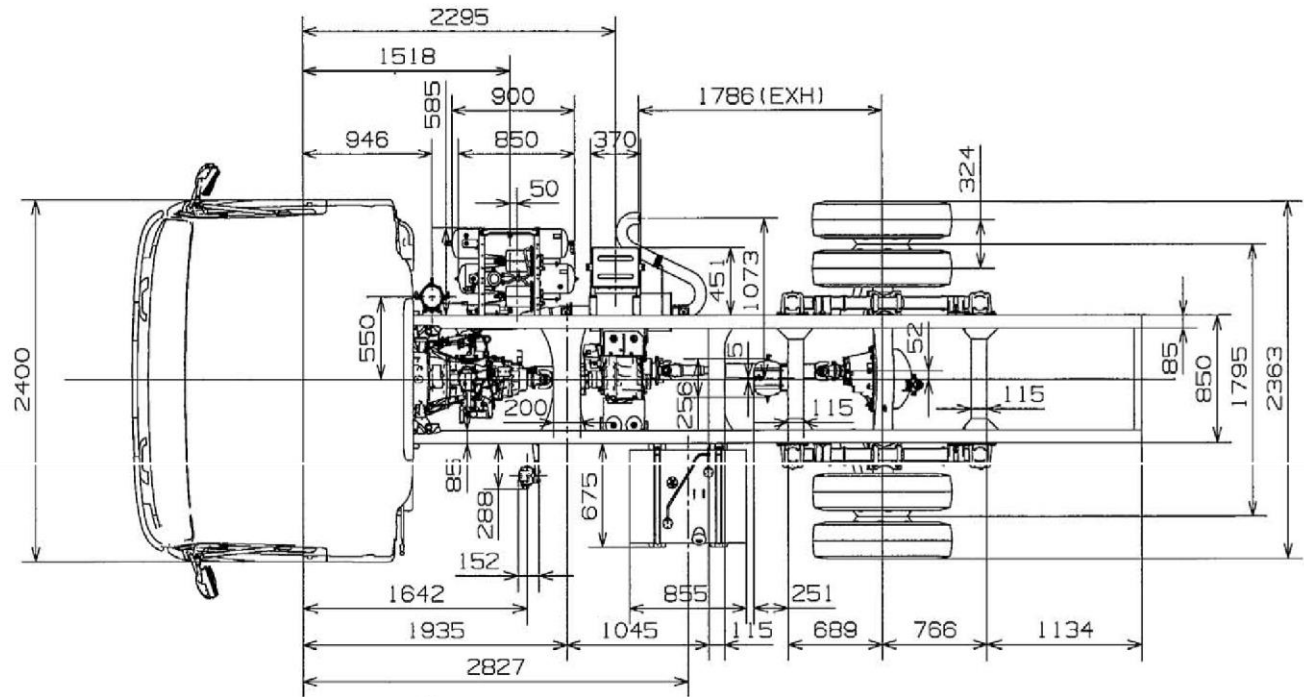


# FTS-750

## CHASSIS CAB DRAWINGS

APPROACH ANGLE	38.5
DEPARTURE ANGLE	26.6
BREAK OVER ANGLE	23.5



HH – REAR GROUND CLEARANCE  
245mm

EH – CHASSIS REAR END HEIGHT  
1120mm

www.isuzu.co.za  

# ISUZU

*With you, for the long run*